

CODE NUMBER

1101209T

DESCRIPTION

Carbon Offset, Vitreous China Retrofit Washdown Urinal.

DETAILS

- Flush Volume: 0.125–1.0 gpf (0.5–3.8 Lpf)
- Flush volume determined by the flushometer used with the fixture
- Nominal Dimensions: 14 ½" x 20 ¾" x 25 ¼" (368 x 527 x 641mm)

FEATURES

- Designed to maximize and complement Sloan flushometers
- Oversized footprint is ideal for retrofit jobs to cover old caulk lines
- Universal high-efficiency model works with 0.125, 0.25 and 0.5 gpf Sloan flushometers
- Thorough washdown flushing action
- Vandal resistant stainless steel strainer included
- IAPMO certified to meet or exceed ASME A112.19.2 standards
- Water Sense listed by EPA that qualifies for most rebate programs
- Meets ADA guidelines and ANSI A117.1 requirements when installed accordingly

PLUMBING SYSTEM REQUIREMENTS

- Minimum Flowing Pressure: 25 PSI (172 kPa)
- Maximum Static Pressure: 80 PSI (552 kPa)
- Maximum Flow Rate: 8.5 gpm (32 Lpm)

DOWNLOADS

- [SU 1200/1210 Series Installation Instructions](#)
- [SS/ST/SU/WETS/WEUS Fixtures Repair and Maintenance Guide](#)
- [Additional Downloads](#)



COMPLIANCES & CERTIFICATIONS



(ADA Compliant, BREEAM Materials Credit, CalGreen Compliant, Carbon Neutral, Carbon Offset, CEC Compliant, cUPC Green Certified, EPD, Green Globes Materials & Resources Credit, HPD, LEED Materials & Resources EPD Credit, LEED Materials & Resources HPD Credit, Satisfies LEED Credits, WaterSense Listed)

NOTES

All information contained within this document subject to change without notice.

All vitreous china dimensions shown in these drawings are nominal and not to scale. Dimensions can vary within the tolerances established in the governing ASME A112.19.2/CSA B45.1 standard. It is important to consider this when planning rough-in and plumbing layouts.

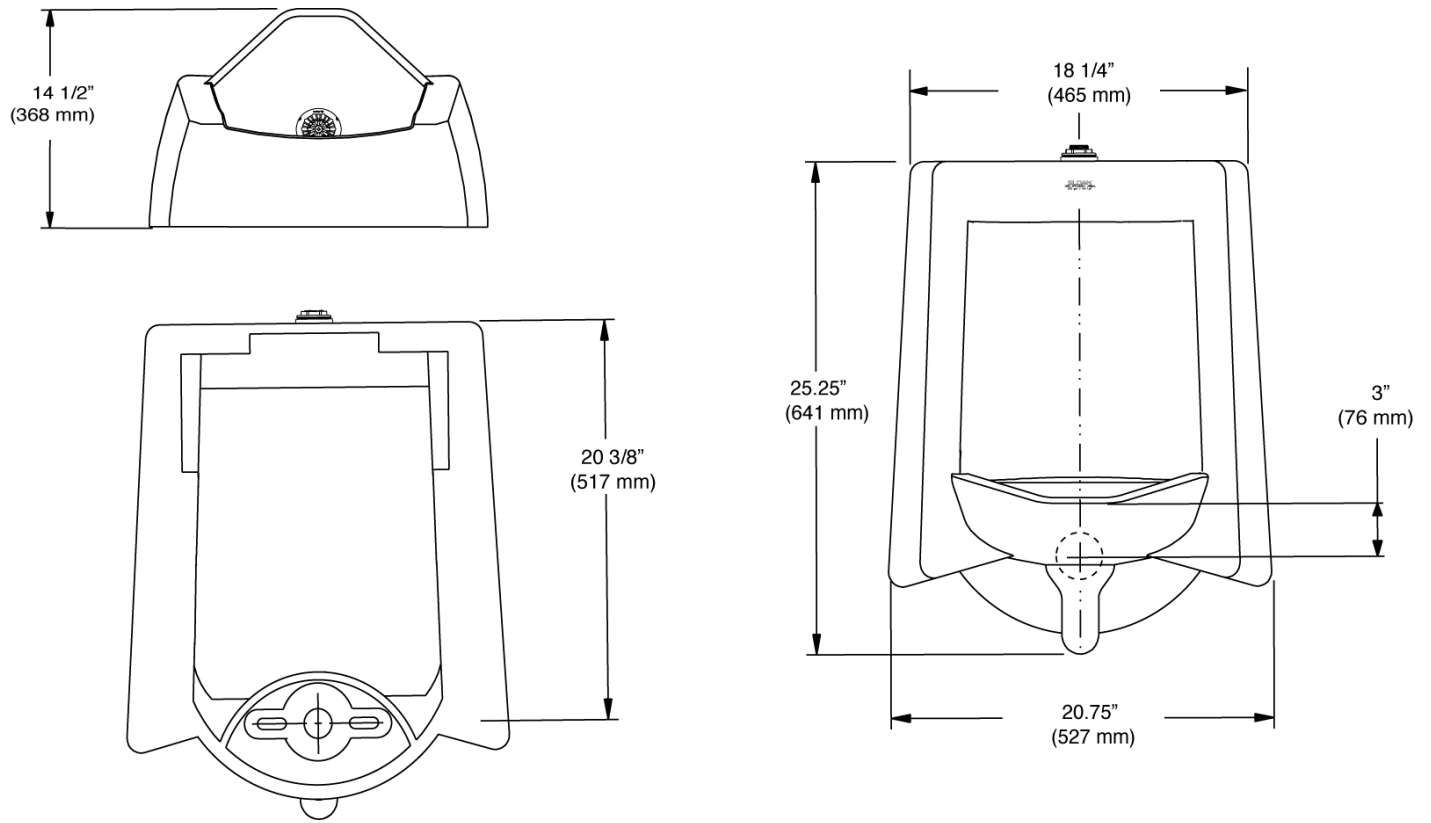
WaterSense compliant when used with a WaterSense compliant flushometer.

[Find a compatible flushometer](#) for this urinal.

Sloan 10500 Seymour Ave, Franklin Park, IL 60131

Phone: 800.982.5839 • Fax: 800.447.8329 • sloan.com

ROUGH-IN



NOTE: ADA urinal rim height requirements allow all heights 17" and below. Sloan strongly recommends roughing in the drain to achieve a 16½" rim height or less to ensure compliance.